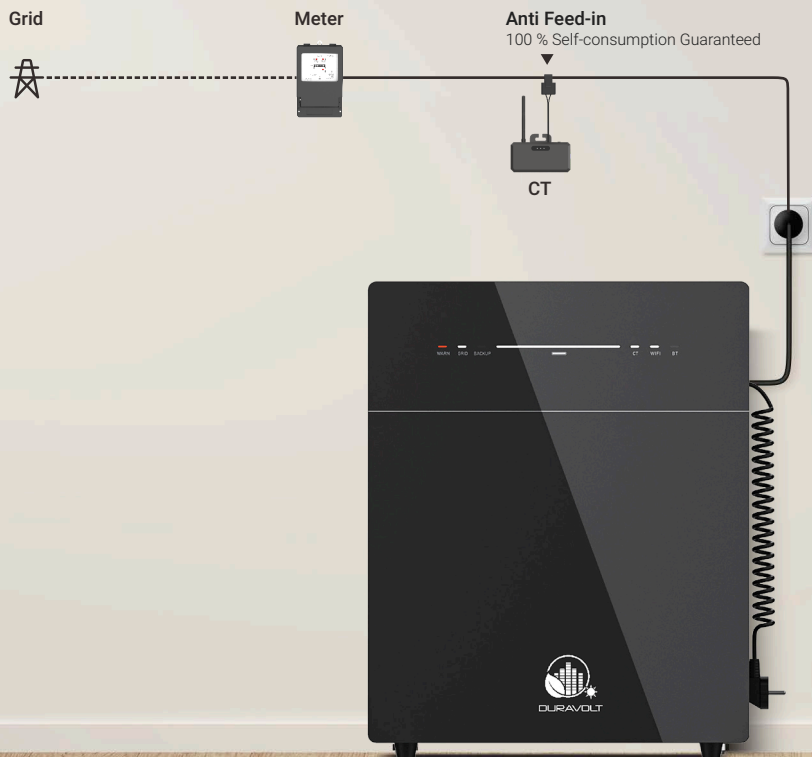
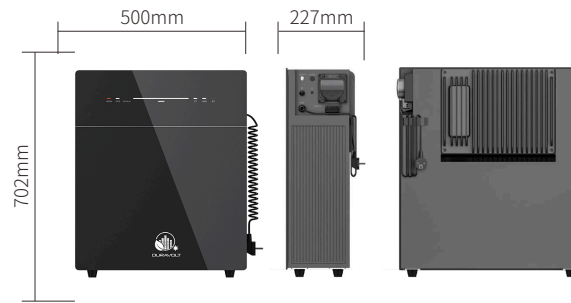


DURAVOLT Plug-in battery

- 800W On-grid, Plug & Play
- 2.56kWh Battery Capacity
- 2.5kW Back-up & Off-grid
- Anti Feed-in ,100% Self-consumption (By CT)
- RS485 EMS , Peak Shaving and Valley Filling
- IP65 Waterproof



SPECIFICATIONS



Model	VENUS-C
Battery Info	
Rated Voltage	51.2V (16S)
Capacity	2560Wh
Life Cycle (Times)	>6000(25°C)
Battery Type	LiFePO ₄
DoD	90%
AC Input / Output (On Grid)	
Rated Input / Output Power	2.5kVA
Operating Phase	L / N / PE
Rated Grid Voltage	230V
Grid Voltage Range	187V ~ 253V
Rated Grid Frequency	50Hz
Rated Grid Output Current	10.9A
Power Factor	>0.99(Default) 0.8leading...0.8lagging (Adjustable)
THDi	<3%
Back-up (Off Grid)	
Rated Output Power	2.5kVA
Max.Apparent Output Power	3.5kVA, 10s
Rated Grid Voltage	230V
Rated Output Current	10.9A
Rated output voltage frequency	50Hz
THDu(Linear Load)	<3%
Efficiency	
Battery-AC Side Max. Efficiency	> 93.5%
Protection	
Protection Level	I
Overvoltage/Voltage Withstand Level	DC II / AC III
General	
Isolation Type	Isolated
Operating Temperature Range	-20°C ~ + 60°C (Storage -30°C ~ + 85°C)
Relative Humidity	0~95%
Ingress Protection	IP65
Cooling Strategy	Natural Convection
Max.Operating Altitude	2000m
On-grid Connection Standard	VDE 4105/0124,TOR R25,NF EN50549-1,UNE217001/217002,NTS 631,CE10-21,PETREE,PN-EN 50549-1/-2,G98, AS4777.2
Regulatory/EMC	IEC62040,IEC62477,IEC/EN 61000-6-1/-2/-3/-4,IEC/EN 61000-3-2/-3,EN 300 328,EN 301 489 -1/-17, EN 50665,CB 62619
Dimension	500*702*227mm
Weight	33 ± 0.5kg
Additional Data	
On-grid AC Connection	Three-wire Household Plug (Euro16A)
Back-up Connection	Three-hole socket (Euro blue socket)
Display	LED
Supported Communication Interface	WIFI&RS485 (Waterproof aviation plug)